



# Corredera

MADERA 68/78/92mm





# Corredera de madera

Corredera elevadora: Marco: esp.: Hoja: esp.: Vidrio:  
> 68/78/92mm > 164/184/212mm > 68/78/92mm > ?÷?mm

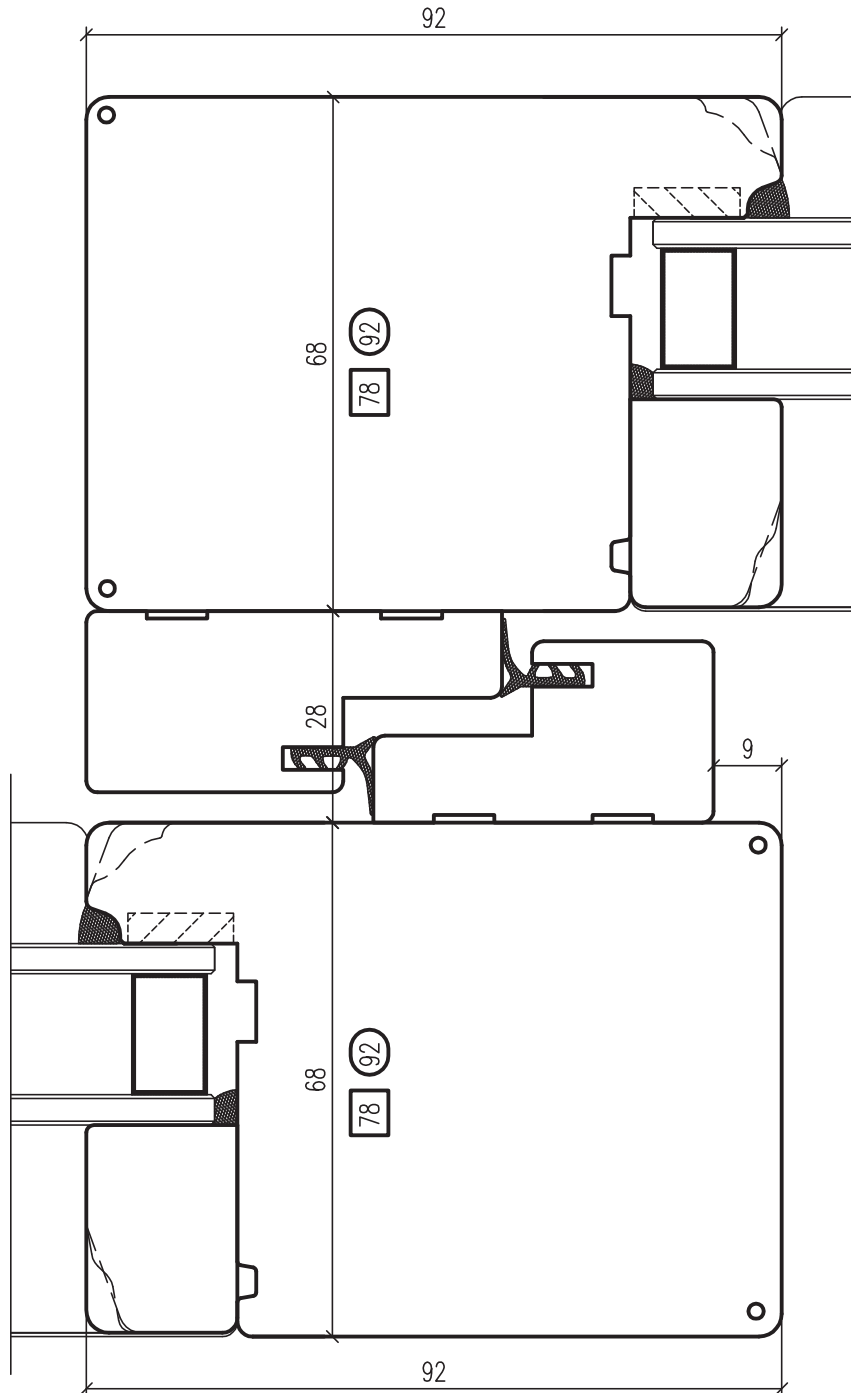
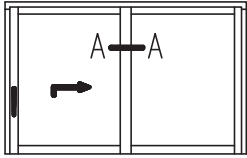
L 161509021



KBZ: HS68  
HS78  
HS92



Corredera elevadora: 68/78/92mm  
Marco: esp.: 164/184/212mm  
Hoja: esp.: 68/78/92mm  
Vidrio: ?÷?mm



- ▷ R 1.0
- R 1.5
- R 2.0
- R 3.0

**Corredera 68/78/92mm**

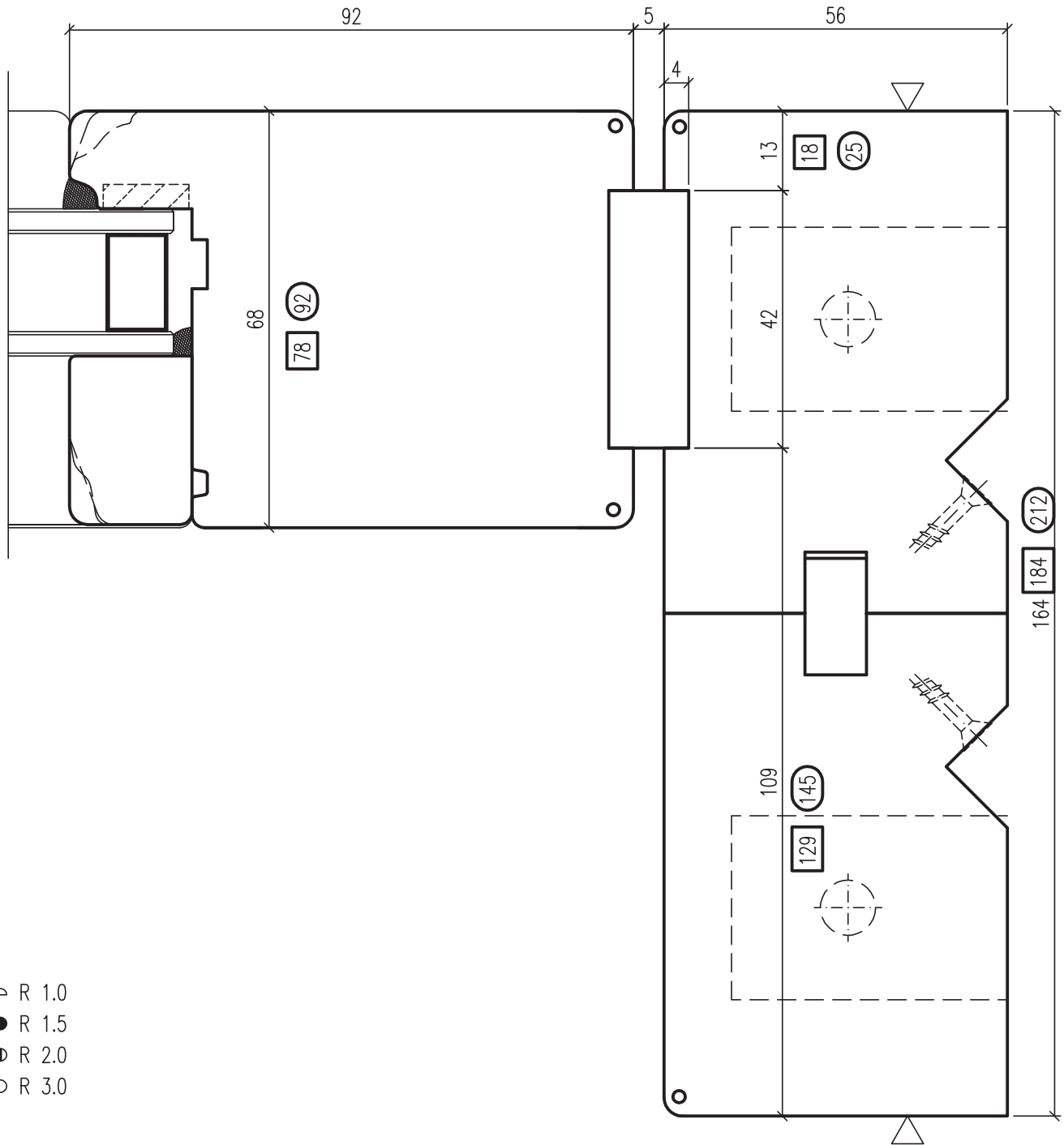
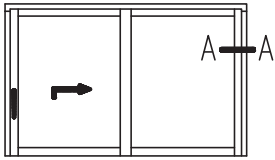
**L 161509021**

**PZ02**

KBZ: HS68  
HS78  
HS92



Corredera elevadora: 68/78/92mm  
Marco: esp.: 164/184/212mm  
Hoja: esp.: 68/78/92mm  
Vidrio: ?÷?mm



- ⊂ R 1.0
- R 1.5
- R 2.0
- R 3.0

**Corredera 68/78/92mm**

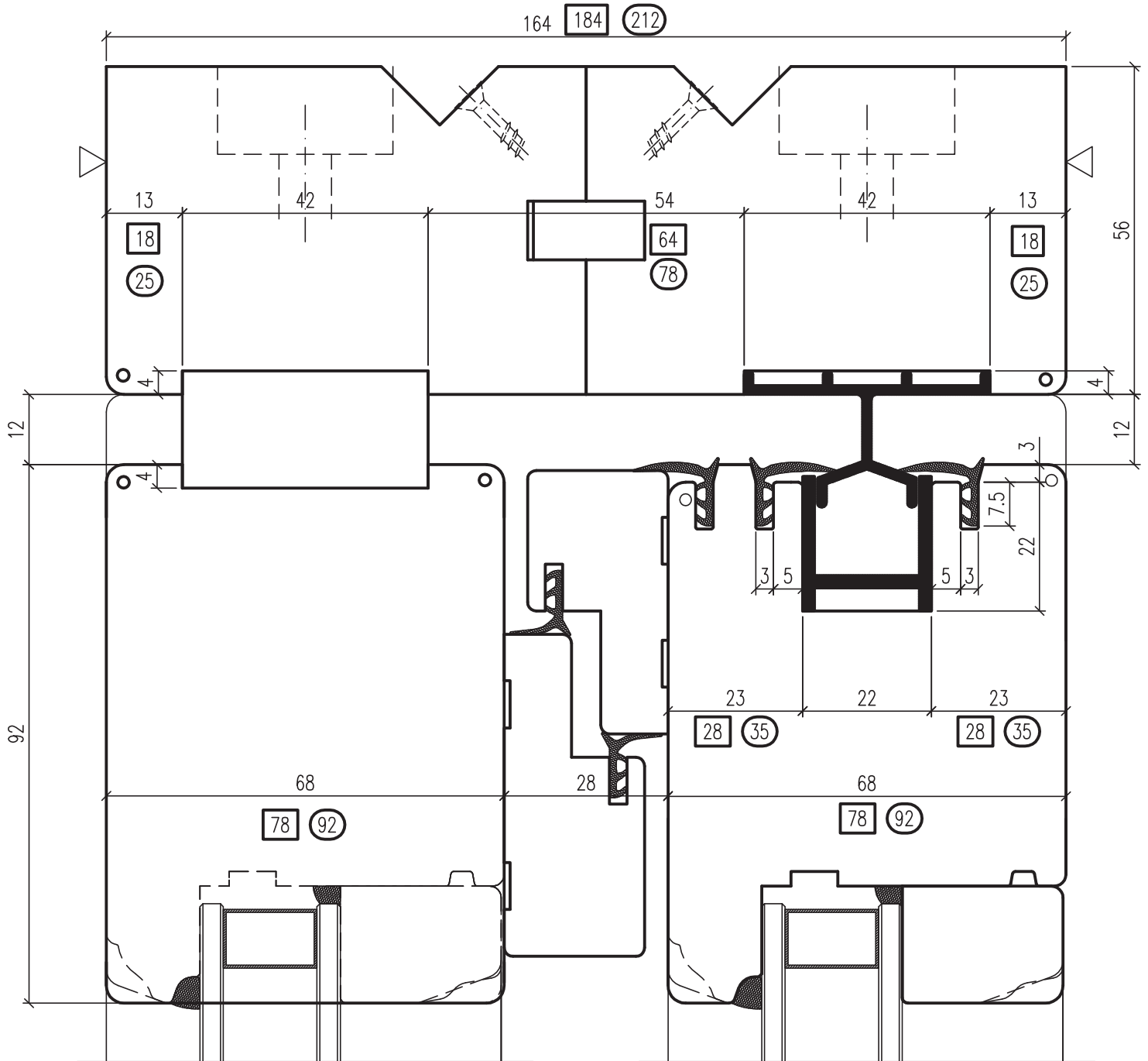
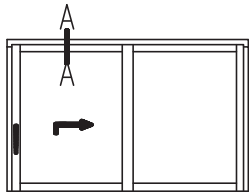
**L 161509021**

**PZ03**

KBZ: HS68  
 HS78  
 HS92



Corredera elevadora: 68/78/92mm  
 Marco: esp.: 164/184/212mm  
 Hoja: esp.: 68/78/92mm  
 Vidrio: ?÷?mm



- ▷ R 1.0
- R 1.5
- R 2.0
- R 3.0

**Corredera 68/78/92mm**

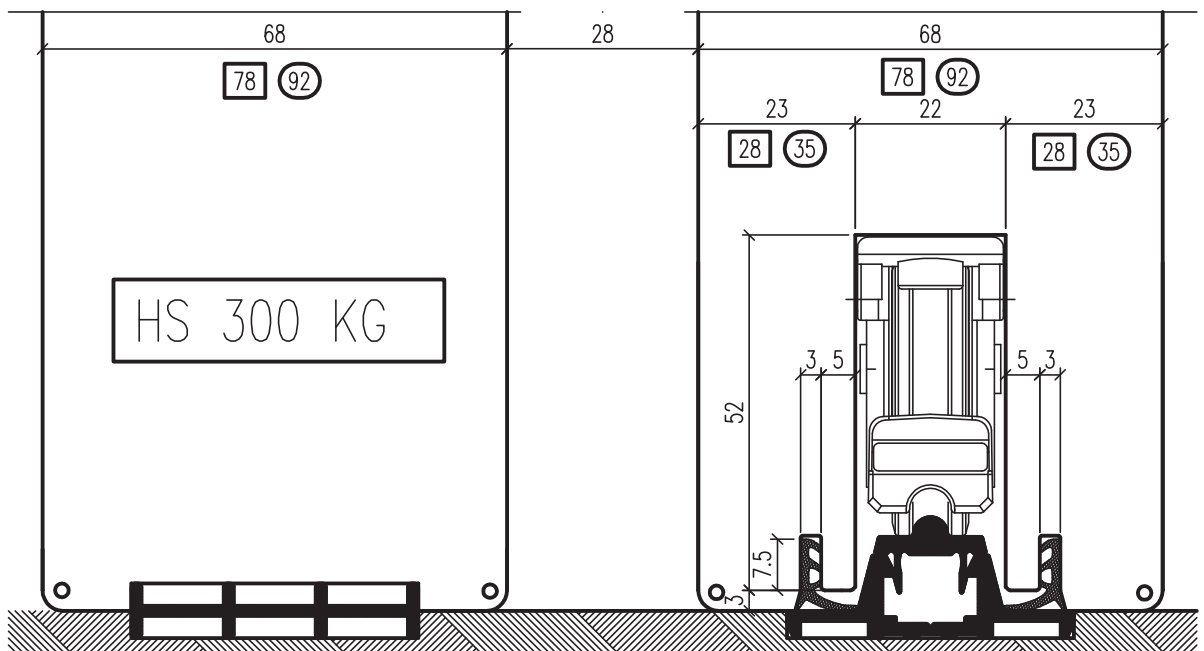
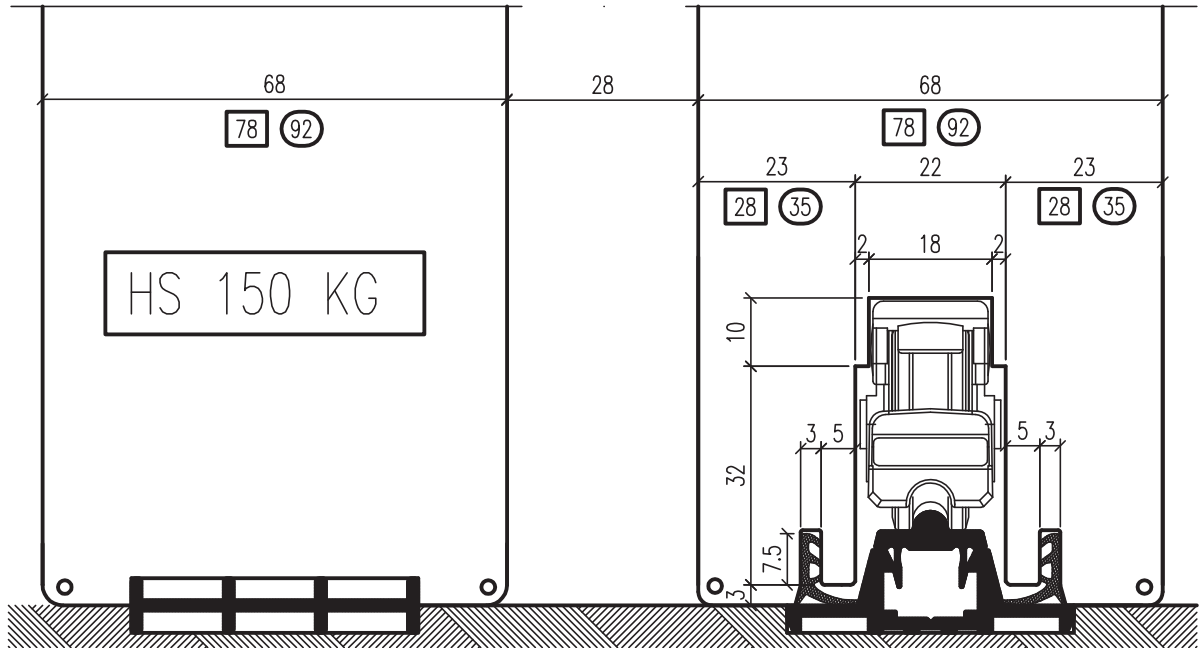
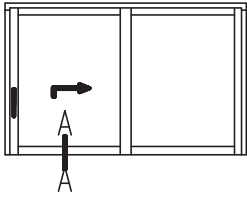
**L 161509021**

**PZ04**

KBZ: HS68  
 HS78  
 HS92



Corredera elevadora: 68/78/92mm  
 Marco: esp.: 164/184/212mm  
 Hoja: esp.: 68/78/92mm  
 Vidrio: ?÷?mm



- ▷ R 1.0
- R 1.5
- R 2.0
- R 3.0

**Corredera 68/78/92mm**

**L 161509021**

**PZ05**